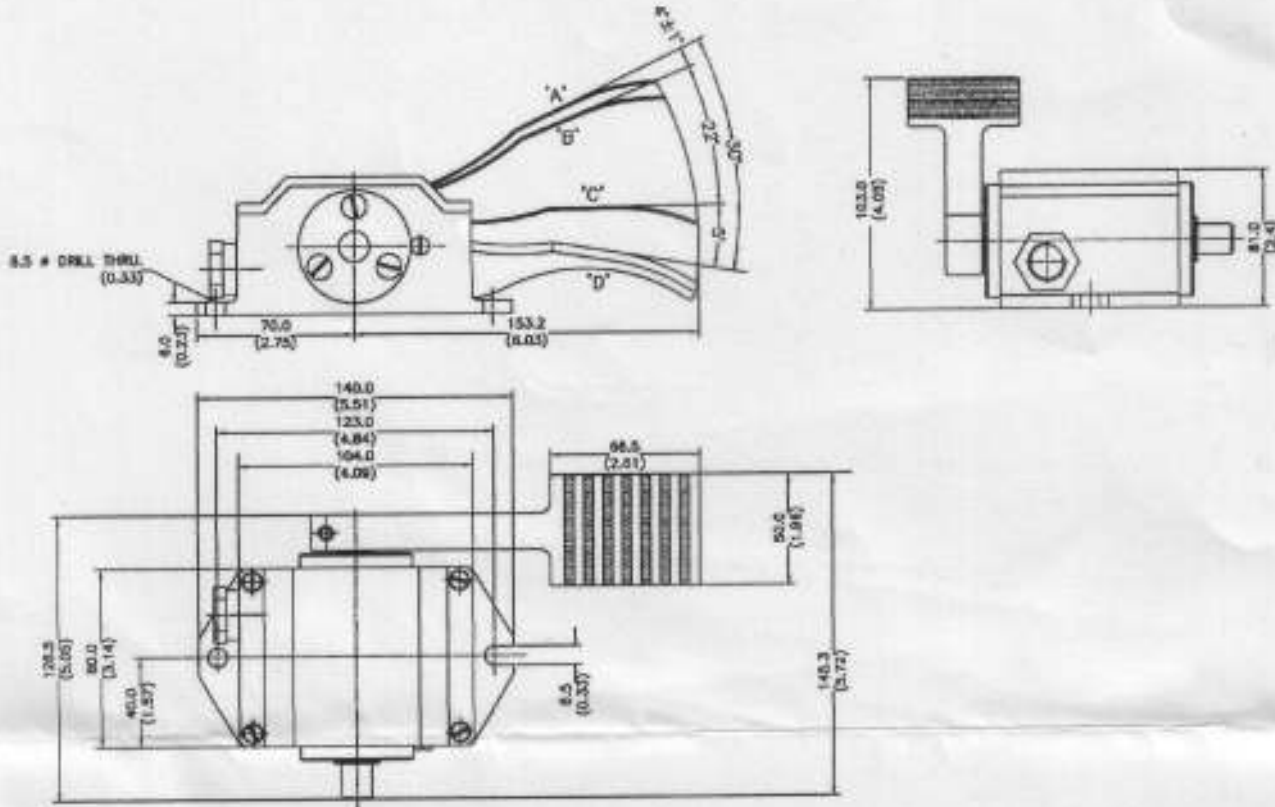


Foot Pedal Model: FP-6

Curtis P/N: 15945105

FP-6 is supplied with 1m length, 7-core wire and a loose pedal. The unit can be installed either in floor or suspended mounting position. The pedal can be mounted on either side of the shaft and should be fixed at a most convenient angular position.



Wiring Chart:

Wire Color	Function
Red	Pot High
White	Wiper
Black	Pot Low
Green	Micro Switch - 1 N/O
Blue	Micro Switch - 1 POLE
Yellow	Micro Switch - 2 N/O
Gray	Micro Switch - 2 POLE

Operating Specifications Chart:

Pedal Position	Angle (Degree)	MS1	MS2	Output (Ohms)
'A'	0	Off	Off	< 10
'B'	4 +/- 1	On	Off	100 - 400
'C'	26 +/- 2	On	On	4.5K - 5.0K
'D'	30 +/- 3	On	On	4.5K - 5.5K *

Note: For safety, a mechanical stopper between the angular pedal positions 'C' and 'D' is recommended

Specifications

- For throttle type 0-5K, use Black and White wires.
- For throttle type 5K-0, use Red and White wires.
- Maximum current carrying capacity of micro switches is 10 A (Resistive load) at 30 V DC and 25 deg C.

* Max potentiometer value is 5KΩ +/- 10%